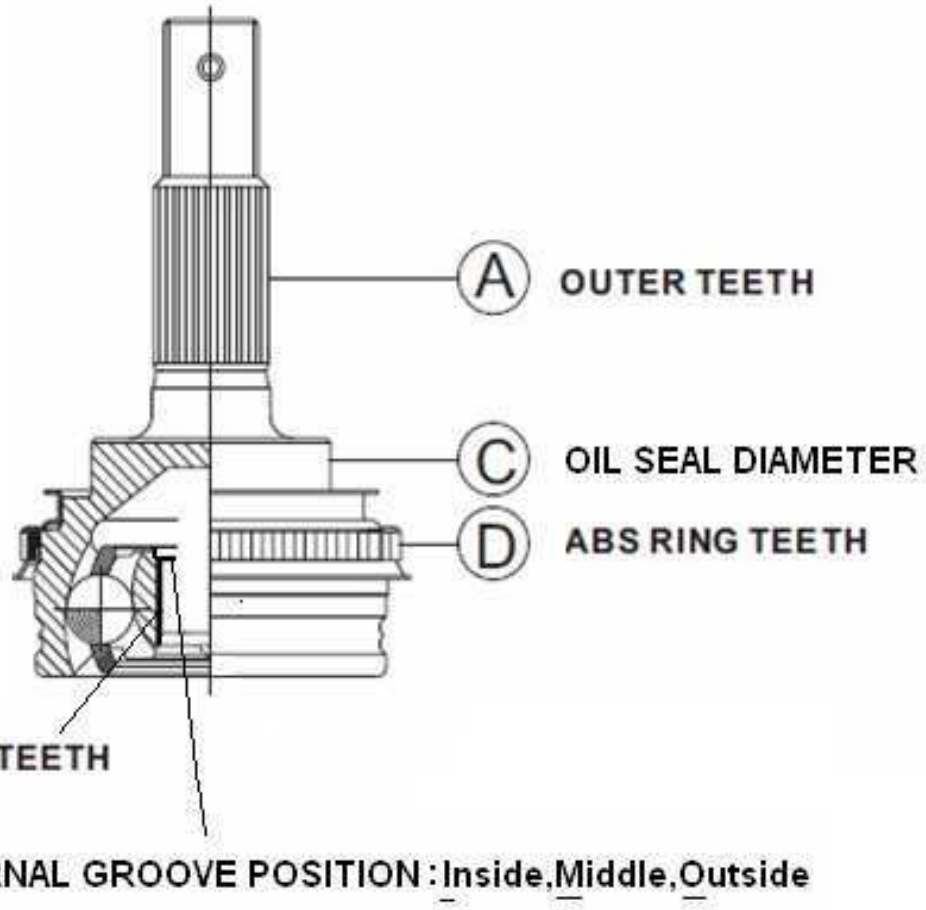




Wheel Side C. V. Joint

CHR No.	MODEL	A	C	B	D	InGr	NOTE
39014	TOYOTA Corona 1.6	26	56	23	48	I	





Wheel Side C. V. Joint

CHR No.	MODEL	A	C	B	D	InGr	NOTE
FORD							
31113	1993 MONDEO 1.8	27	57	30	44		
31115	2001 MONDEO ; METROSTAR 2.0	27	56	23		M	
31116	METROSTAR 2.5	27	56	26		M	
35001	1983 LASER	24	52	22			
35004	TX3 1.3 ; 1986 LASER	24	52	21		I	
35006	1988-1992 TELSTAR 1.8	26	56	23			
35008	LASER 1.6	26	56	22			
35009	LASER 1.3 ; 323 1.3	26	56	21		I	
35012	FESTIVA 1.1 / 1.3	24	52	19			
35014	TELSTAR 2.0 ; TX5	26	56	25		I	
35016	1993 TELSTAR 1.8 / 2.0	28	56	23	44		
35027	LIATA 1.6	26	56	22		I	
35028	1996 FESTIVA 1.5	24	52	22			
35029	1996 FESTIVA 1.3	24	52	21		I	
35036	TIERRA 1.6	26	56	28	44	I	
35037	TIERRA 1.8	26	56	29	44	I	
35056	ESCAPE 2.0	28	56	24	44	M	
35057	2005 FOCUS 2.0	36	55	23	-	I	
35060	ESCAPE 2.3	28	56.5	33	44		
35063	2008 FOCUS 2.5 Diesel	36	56	26	-	I	
35066	2008 MONDEO 2.5 Diesel	40	57.5	28	-	M	
35068	FIESTA	25	53	21	-	M	
31118	2011 MONDEO	40	57.5	26	-	M	



Wheel Side C. V. Joint

CHR No.	MODEL	A	C	B	D	InGr	NOTE
HYUNDAI							
38001	ACCENT 1.5	25	50	22	44		
38004	98' ELANTRA 1.8	25	50	25			
38005	ELANTRA 1.8 ; MATRIX 1.8	25	50	23	44	M	
38013	93' ELANTRA ; AVANTE	25	50	30	44	M	
38052	GETZ 1.3	25	52	29			
38055	ATOS 1.0	25	50	19			
38056	MATRIX 1.6	25	50	30	44	I	
38057	XG 2.0	27	60	23	47		
38058	TRAJET 2.0 ; 03' SANTA FE 2.4	27	60	25		M	
38059	03' SANTA FE 2.7	27		26		M	
38065	06' SONATA 2.0 Diesel ; TUCSON 2.7 Gas	27	62	25	47	M	
38066	TUCSON 2.0 Gas	27	62	23		I	
38066-1	TUCSON 2.0 Gas	27	62	23		M	
38067	TUCSON 2.0 4WD Diesel	27	62	26		M	
38071	2008 SANTAFE 2.2 Diesel	30	55	36	52	I	
38073	IX35	27	62	24	48	M	
38074	2012 ELANTRA	27	60	24	46	M	
38075	I30 Diesel	27	60	24			
38076	I30 Gas	27	60	22		M	
38077	2005 TRAJET Diesel	27		34			
38078	TERRACAN	28	56	27		I	L:220
38079	2013 SANTAFE	30	56	35	52	M	
38080	2013 IX35	30	64	25	48	M	



Wheel Side C. V. Joint

CHR No.	MODEL	A	C	B	D	InGr	NOTE
MITSUBISHI							
38019	90' E33 2.0	25	54	23			
38023	DELICA 4WD	28	56	26		M	
38025	LANCER	25	54	23		I	
38026	93'~98' LANCER 1.6	25	54	30	43	M	
38030	MINICAB 800 4WD (TAIWAN)						
38039	VARICA 1.1 (TAIWAN)	23	47	19			
38049	GALLANT 2.0	25	54	30			
38051	01' LANCER	25	57	30	43	M	
38054	SAVRIN 2.4			33		M	
38060	VARICA 1.2 (TAIWAN)	23	45.5	21			
38062	SAVRIN 2.0	25	54	25		M	
38006	VERYCA 1.2 (TAIWAN)	23	54	29			
38063	05' GRUNDER 2.4 Wheel 16"	25	57	33		I	
38064	05' GRUNDER 2.4 Wheel 17"	27	62	33			
38068	07' COLT PLUS 1.6	25	55	28			
38069	08' OUTLANDER 2.4 (TAIWAN)	28	59.5	35		I	
38070	07' FORTIS		56.5	33		I	
38072	05' OUTLANDER 2.4	25	57	29			



FULIEZ ENTERPRISE CO., LTD

Wheel Side C. V. Joint

CHR No.	MODEL	A	C	B	D	InGr	NOTE
NISSAN							
36018	331 1.4 1.6 ((TAIWAN)) / 341	25	55	30	42		
36021	331 2.0 (USA)	25	52.2	25			
36022	331 1.6 (JP)	25	55	23		I	
36023	PRIMERA 931 (UK)	27	56	32			
36029	PRIMERA 2.0 931 (TAIWAN)	27	56	25			
36033	MARCH 1.3 (K11)	23	48	22		I	
36038	HARDBODY	27	50	27			
36041	1997 CEFIRO 2.0	29	56	25		I	
36042	92'~97' ALTIMA	27	56	27			
36043	NEW HARDBODY ; QX4 3.3	28	50	27		I	
36045	QUEST3.0	32	62	34		I	
36049	98' MARCH (TAIWAN)	24	48	19	42	I	
36050	93'~97' ALTIMA 2.4 TURBO	27	56	26	44	I	
36051	CEFIRO 3.0	29	56	27	46	I	
36052	X-TRAIL 2.0 ; TEANA 3.5	29	56	26	44	M	
36053	X-TRAIL 2.5 ; 01' CEFIRO 3.0(A33)	29	56	25			
36054	SERENA QRV	27	56	23	44		
36055	04' TEANA 2.0	29	56	24		M	
36055-1	08' TEANA 2.0	29	56	24	-	M	
36056	BLUEBIRD 2.0 ; TIIDA1.8 ; LIVINA1.8	25	49	23			
36057	LIVINA 1.6 / TIIDA 1.6 (TAIWAN)	25	49	22			
36061	ROGUE ; 08' QASHQAI MT; 07' X-TRAIL	29	56	35			
36062	2012 TIIDA 1.6	29	56	22		M	
36063	SENTRA 2.0	27	55	25	42		



Wheel Side C. V. Joint

CHR No.	MODEL	A	C	B	D	InGr	NOTE
TOYOTA							
39013	92' CAMRY V6 3.0	30	56	34			
39014	CORONA 1.6	26	56	23			
39014-1	CORONA 1.6 (TW)	26	56	30			
39015	EXSIOR 2.0 ; CORONA 2.0	26	56	24			
39016	COROLLA 1.6/1.8	26	56	29			
39024	CAMRY 2.2	26	56	32			
39026	TERCEL 1.5 (TW)	26	56	23			
39041	SURF 2.4 / 4WD	26	56	27			
39042	YARIS	26	56	29			
39048	01' ALTIS 1.6 / 1.8	26	58	24	48		
39048-1	ALTIS (TW)	26	58	23	48		
39048-23	08' ALTIS 1.8	26	58	23	48		
39051	04' WISH 2.0	26	63.2	27	48		
39052	CORONA 2.0 (TW)	26	56	23			
39054	VIOS	24	56	21	48		
39055	02' CAMRY	26	63.2	24	48	M	
39056	02' CAMRY 3.0	30	63.2	27	48	I	
39057	03' CAMRY3.0	30	63.2	26	48	M	
39058	97' GOA CAMRY 3.0 / 2000 AVALON	30	56	26	48	M	
39059	SIENNA	30	63.2	27	48	M	
39060	06' CAMRY 3.5	30	63.2	26	48		
39063	12' CAMRY 2.5 GAS	26	62	33	48		
39064	14' ALTIS 1.8			32	48		
39065	14' VIOS	26	55.5	30		I	



Wheel Side C. V. Joint

CHR No.	MODEL	A	C	B	D	InGr	NOTE
VOLKSWAGEN							
80004	JETTA ; POLO	22	50	30		I	
80005	JETTA ; 86' POLO 1.4	22	50	30		I	
80011	PASSAT	22	51	30			
80018	93' T4 2.0	38	59.6	33		I	
80028	95' T4 2.5	38	59.6	27			
80029	BORA ; 02' GOLF	36	53	30			
80030	05' GOLF TDI ; CADDY	36	59.5	27		I	
80031	T5 1.9	38	63	27		M	
80032	GOLF 1.6 ; 2004 PASSAT 1.6	36	59.5	30			
80033	11' TIGUAN 2.0 Gas ; 11' CADDY 1.6 Diesel	36	59.5	27		M	
80034	2004 GOLF 1.4 16V	36	59.5	30			
80035	NEW BORA	38	53.6	27			
80036	TOUAREG	30	65	27		M	
80037	2008 POLO	36	51.5	30			